

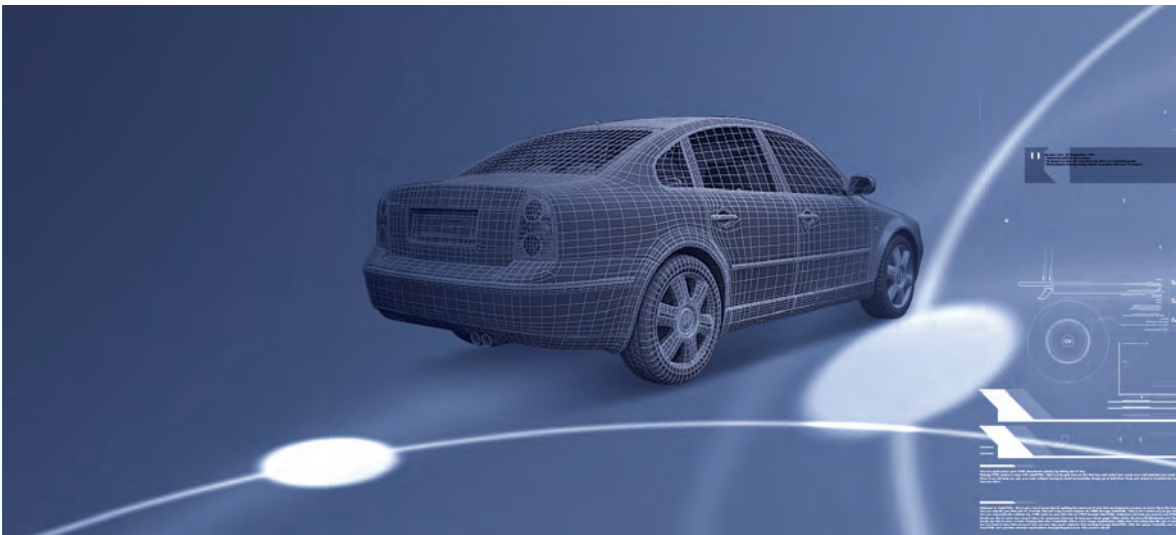
2008 00

KUM PRODUCTS GUIDE

ELECTRONIC CONNECTOR
AUTOMOTIVE CONNECTOR
SOLDERLESS TERMINAL

www.kunion.co.kr





02	TABLE OF CONNECTOR SERIES
08	WATERPROOF CONNECTORS
54	NON-WATERPROOF CONNECTORS
123	THE OTHERS CONNECTORS
163	INDEX OF PART No.

BRIEF HISTORY

Aug. 1987 Korea Union Machinery Co., Ltd. Established
Dec. 1987 Registered foreigner investment company
Sep. 1988 Housing & Terminal factory completed
Nov. 1989 Sales agency with Mitsubishi Cable Ind.. Ltd.
Concluded contract
Sep. 1990 Gab-Rywoo trade permission acquired
Oct. 1990 Technically jointed with Ryosei Electro-Circuit
systems Co.,Ltd. concluded contract
Nov. 1990 Selected a bright prospect small and medium
company(Credit guarantee fund)
Aug. 1993 Selected a bright prospect advanced
technique company
Oct. 1999 Acquired QS 9000 certificate by DNV Company

Jan. 2000 Cancelled the registration of foreigner
investment company
Mar. 2001 Established Technical research institute
(Korea industrial technology Association)
Jul. 2002 Duseo factory completed
Jan. 2003 Acquired SQ certification
Nov. 2004 Duseo second factory completed
Dec. 2004 Acquired ISO/TS 16949 certification
May. 2005 Acquired ISO 14001 certification
Aug. 2005 Changed the firm name to KUM Co., Ltd.



Inside the best products
are always the
components of KUM

INTRODUCTION

KUM Co.,Ltd. is the technical maker of connectors, heart components of automotive wire-harness and industrial electronic Parts, and manufacturing Plastic, Metal, Silicon-rubber Products and Precise molds and also in a technical tie-up with Mitsubishi Cable industries Co., Ltd. technical wire harness maker in Japan.

KUM is making every efforts to be a leading company in the world by the constant updating and improvement of our products in the base of the slogan, "Let' s help each other, get together and accomplish the up-to-date!"



■ Headquarters /1st Plant








■ Duseo 1st Plant



■ Duseo 2nd Plant

WATERPROOF CONNECTORS

Table of Connector Series

TERMINAL SIZE	CONNECTOR TYPE	SPECIFICATIONS				MATERIAL	MAIN FEATURES	PAGE
		Applicable Wire	Housing lock strength	Permissible current	Waterproof capability			
DEW								
050		0.2~1.25 (mm ²)	98N (10kgf) 이상	5.5A	초기 1.0Kgf/cm ² 이상 내구 후 0.5Kgf/cm ² 이상	HOUSING P.B.T TERMINAL Male: Copper Alloy Female: Copper Alloy WIRE SEAL Si Rubber	<ul style="list-style-type: none"> ● Special two point support bridge contact structure ● Very compact multi-pole waterproof ● Low insertion force ● Click lock ● Special dual-lock holding mechanism (front holder system) ● Independent seal structure 	8
62Z								
060		0.2~0.85 (mm ²)	98N (10kgf) 이상	6A	초기 1.0Kgf/cm ² 이상 내구 후 0.5Kgf/cm ² 이상	HOUSING P.B.T TERMINAL Male: Copper Alloy Female: Copper Alloy WIRE SEAL Si Rubber	<ul style="list-style-type: none"> ● Special two point support bridge contact structure ● Very compact multi-pole waterproof ● Low insertion force ● Inertia lock ● Special dual-lock holding mechanism (front holder system) ● Independent seal structure 	12
RS								
090		0.3~2.0 (mm ²)	98N (10kgf) 이상	10A	초기 1.0Kgf/cm ² 이상 내구 후 0.5Kgf/cm ² 이상	HOUSING P.B.T TERMINAL Male: Copper Alloy Female: Copper Alloy WIRE SEAL Si Rubber	<ul style="list-style-type: none"> ● Special two point support bridge contact structure ● Very compact multi-pole waterproof ● Low insertion force ● Inertia lock ● Special dual-lock holding mechanism (front holder system) ● Independent seal structure 	16
WMC								
090		0.3~2.0 (mm ²)	98N (10kgf) 이상	10A	초기 1.0Kgf/cm ² 이상 내구 후 0.5Kgf/cm ² 이상	HOUSING P.B.T TERMINAL Female: Copper Alloy WIRE SEAL Si Rubber	<ul style="list-style-type: none"> ● Special two point support bridge contact structure ● Very compact multi-pole waterproof ● Low insertion force ● Click lock ● Special dual-lock holding mechanism (front holder system) ● Independent seal structure 	21
NMWP								
090		0.3~2.0 (mm ²)	98N (10kgf) 이상	10A	초기 1.0Kgf/cm ² 이상 내구 후 0.5Kgf/cm ² 이상	HOUSING P.B.T TERMINAL Male: Copper Alloy Female: Copper Alloy WIRE SEAL Si Rubber	<ul style="list-style-type: none"> ● Special two point support bridge contact structure ● Very compact multi-pole waterproof ● Low insertion force ● Click lock ● Special dual-lock holding mechanism (front holder system) ● Independent seal structure 	24






WATERPROOF CONNECTORS

Table of Connector Series

TERMINAL SIZE	CONNECTOR TYPE	SPECIFICATIONS				MATERIAL	MAIN FEATURES	PAGE
		Applicable Wire	Housing lock strength	Permissible current	Waterproof capability			
NDWP								
090		0.3~2.0 (mm ²)	98N (10kgf) 이상	10A	초기 1.0Kgf/cm ² 이상 내구 후 0.5Kgf/cm ² 이상	HOUSING P.B.T TERMINAL Male: Copper Alloy Female: Copper Alloy WIRE SEAL Si Rubber	<ul style="list-style-type: none"> ● Electronic fuel injector compact multi-pole waterproof ● Click lock ● Special dual-lock holding mechanism (front holder system) ● Independent seal structure 	34
WWP								
110		0.3~2.0 (mm ²)	98N (10kgf) 이상	12A	초기 1.0Kgf/cm ² 이상 내구 후 0.5Kgf/cm ² 이상	HOUSING P.B.T TERMINAL Male: Copper Alloy Female: Copper Alloy WIRE SEAL Si Rubber	<ul style="list-style-type: none"> ● Compact multi-pole waterproof ● Low insertion force ● Click lock ● Special dual-lock holding mechanism (front holder system) ● Independent seal structure 	39
JFC								
110		0.3~2.0 (mm ²)	98N (10kgf) 이상	10A	초기 1.0Kgf/cm ² 이상 내구 후 0.5Kgf/cm ² 이상	HOUSING P.B.T 15G TERMINAL Male: Phosphor Bronze Female: Phosphor Bronze WIRE SEAL Si Rubber	<ul style="list-style-type: none"> ● Electronic fuel injector compact multi-pole waterproof ● Spring lock ● Special dual-lock holding mechanism (Slide system) ● Independent seal structure 	44
RW								
187		0.3~3.0 (mm ²)	98N (10kgf) 이상	25A	초기 1.0Kgf/cm ² 이상 내구 후 0.5Kgf/cm ² 이상	HOUSING P.B.T TERMINAL Male: Copper Alloy Female: Copper Alloy WIRE SEAL Si Rubber	<ul style="list-style-type: none"> ● Special two point support bridge contact structure ● Mid-size multi-pole waterproof ● Low insertion force ● Click lock ● Special dual-lock holding mechanism (front holder system) ● Independent seal structure 	48
WV								
312		3.0~8.0 (mm ²)	98N (10kgf) 이상	40A	초기 1.0Kgf/cm ² 이상 내구 후 0.5Kgf/cm ² 이상	HOUSING P.B.T TERMINAL Male: Copper Alloy Female: Copper Alloy+ Copper Alloy WIRE SEAL Si Rubber	<ul style="list-style-type: none"> ● Special two point support bridge contact structure ● Click lock ● Special dual-lock holding mechanism (Slide system) ● Independent seal structure 	51






NON-WATERPROOF CONNECTORS

Table of Connector Series

TERMINAL SIZE	CONNECTOR TYPE	SPECIFICATIONS				MATERIAL	MAIN FEATURES	PAGE
		Applicable Wire	Housing lock strength	Permissible current	Waterproof capability			
	O40III							
040		0.22~0.5 (mm ²)	98N (10kgf) 이상	5A	—	HOUSING P.B.T TERMINAL Male: Copper Alloy Female: Copper Alloy	<ul style="list-style-type: none"> ● Special two point support bridge contact structure ● Very compact high performance multi-polar ● Low insertion force ● Click lock ● Special dual-lock holding mechanism (Preset rear holder system) ● Caselanceless structure 	54
	CC							
040		0.22~0.85 (mm ²)	98N (10kgf) 이상	5A	—	HOUSING P.B.T TERMINAL Male: Copper Alloy Female: Copper Alloy	<ul style="list-style-type: none"> ● Special two point support bridge contact structure ● Very compact high performance multi-polar ● Low insertion force ● Click lock ● Special dual-lock holding mechanism (Preset rear holder system) ● Caselanceless structure 	57
	CDR							
050		0.2~1.25 (mm ²)	98N (10kgf) 이상	5A	—	HOUSING P.B.T TERMINAL Male: Brass Female: Copper Alloy	<ul style="list-style-type: none"> ● Very compact multi-pole water proof ● Inertia lock ● Special dual-lock holding mechanism ● Independent seal structure ● Hinge type retainer 	61
	62-C							
060		0.2~0.85 (mm ²)	98N (10kgf) 이상	6A	—	HOUSING P.B.T TERMINAL Male: Brass Female: Copper Alloy	<ul style="list-style-type: none"> ● Special two point support bridge contact structure ● Very compact multi-pole waterproof ● Low insertion force ● Inertia lock ● Special dual-lock holding mechanism (front holder system) ● Independent seal structure 	72
	AR							
090		0.3~2.5 (mm ²)	98N (10kgf) 이상	10A	—	HOUSING P.B.T TERMINAL Male: Copper Alloy Female: Copper Alloy	<ul style="list-style-type: none"> ● Very compact multi-pole non waterproof ● Inertia lock ● Low insertion force ● Click lock ● Special two point support bridge contact structure ● Low insertion force 	82

NON-WATERPROOF CONNECTORS

Table of Connector Series

TERMINAL SIZE	CONNECTOR TYPE	SPECIFICATIONS				MATERIAL	MAIN FEATURES	PAGE
		Applicable Wire	Housing lock strength	Permissible current	Waterproof capability			
	CS							
090		0.3~2.0 (mm ²)	98N (10kgf) 이상	10A	—	HOUSING P.B.T TERMINAL Male: Copper Alloy Female: Copper Alloy	<ul style="list-style-type: none"> ● Special two point support bridge contact structure ● Click lock ● Low insertion force ● Compact multi-pole structure ● Caselanceless structure ● Preset type retainer 	90
	CSN							
090		0.3~2.0 (mm ²)	98N (10kgf) 이상	10A	—	HOUSING P.B.T TERMINAL Male: Copper Alloy Female: Copper Alloy	<ul style="list-style-type: none"> ● Special two point support bridge contact structure ● Click lock ● Low insertion force ● Compact multi-pole structure ● Caselanceless structure ● Preset type retainer 	98
	DSD							
250		0.3~3.0 (mm ²)	98N (10kgf) 이상	20A	—	HOUSING P.P TERMINAL Male: Brass Female: Brass	<ul style="list-style-type: none"> ● Mid-size multi-pole ● Click lock ● Special dual-lock holding mechanism (Preset rear holder system) 	105
	NDSD							
250		0.3~3.0 (mm ²)	98N (10kgf) 이상	20A	—	HOUSING P.P TERMINAL Male: Brass Female: Copper Alloy	<ul style="list-style-type: none"> ● Mid-size multi-pole ● Click lock ● Special dual-lock holding mechanism (Preset rear holder system) 	110
	NV							
312		3.0~8.0 (mm ²)	98N (10kgf) 이상	40A	—	HOUSING P.B.T TERMINAL Male: Copper Alloy Female: Copper Alloy+ Copper Alloy	<ul style="list-style-type: none"> ● Special two piece point support bridge contact structure ● Click lock ● Special dual-lock holding mechanism (slide system) 	113

NON-WATERPROOF CONNECTORS

Table of Connector Series

TERMINAL SIZE	CONNECTOR TYPE	SPECIFICATIONS				MATERIAL	MAIN FEATURES	PAGE
		Applicable Wire	Housing lock strength	Permissible current	Waterproof capability			
250 040	HYBRID					HOUSING P.B.T		116
		98N (10kgf) 이상	-		TERMINAL Male: Copper Alloy Brass Female: Copper Alloy Brass			

THE OTHER CONNECTORS

Table of Open Type Connector Series

LAMP



124

BAND CABLE



138

THE OTHER CONNECTORS

Table of Open Type Connector Series

WIRE CLIP



146

BOX



148

PCB/LCD



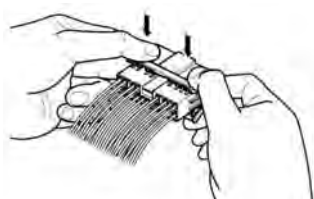
150

JIG



153

ASSEMBLING



154

NMWP SERIES 090 CONNECTOR

New Multi-pole Water-proof Type



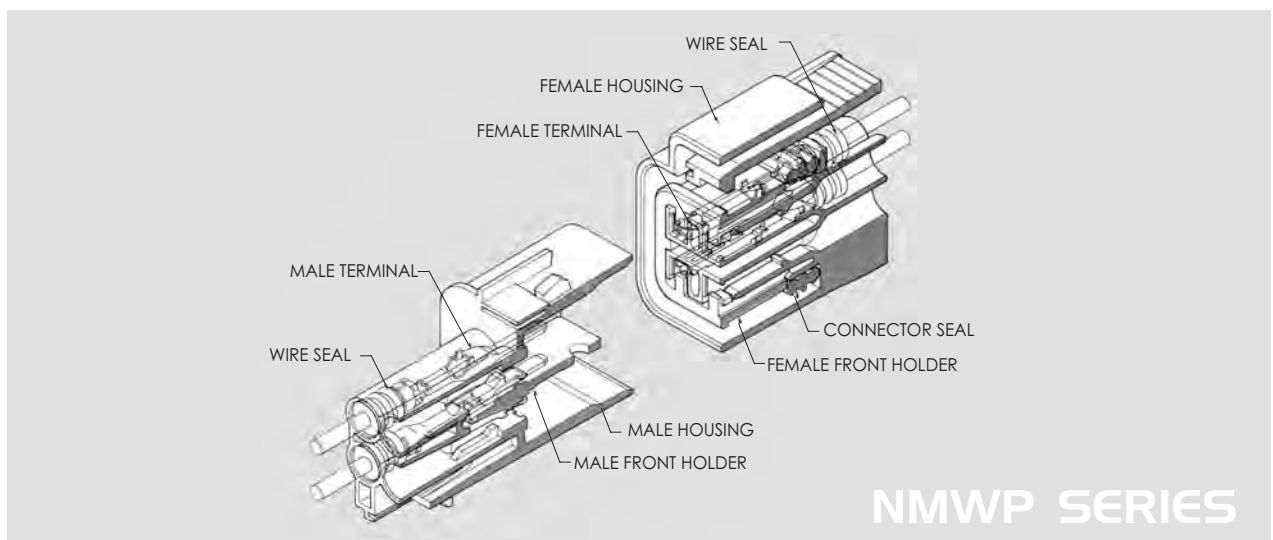
▶ DISTINCTIVE FEATURES

Improving on conventional waterproof connectors, the NMWP connector is a compact 2.3mm tab size (5.8mm pitch), multi-pole, waterproof connector adopting a special dual-lock holding mechanism and offering excellent waterproof performance.

NMWP CONNECTOR는 우수한 방수성을 가지고 있고, 특수 이중 LOCK기구를 채용한 2.3mm TAB SIZE(Pitch 5.8)의 소형 다극 방수 CONNECTOR입니다.

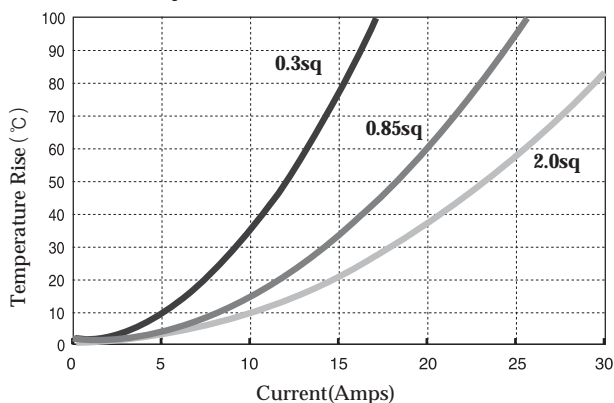
- 1) 특수 이중 계지 구조
- 2) 독립 SEAL 구조
- 3) CLICK LOCK방식
- 4) BRIDGE(2점지지)구조

▶ CONSTRUCTION



▶ SPECTRAL CHARACTERISTICS

Temperature rise above Ambient(25) vs Current



※ The test result are made out under single circuits system & testing condition. Therefore, the results can be different when it is installed in the car. If you want more information for this result and actual product performance, please contact us.

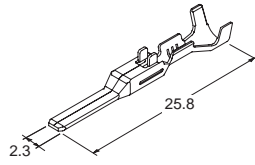
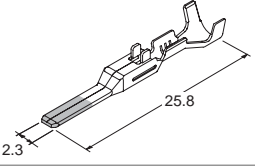
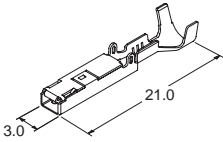
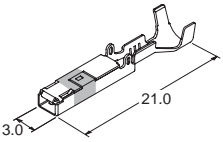
▶ SPECIFICATIONS

▶ Applicable Wire	0.3 ~ 2.0mm ²
▶ Housing Lock Strength	At least 98N
▶ Permissible Current	10A(AVS 1.25mm ² , when 6/12 poles conducting)
▶ Temp. Range, °C	-40°C ~ 120°C
▶ Voltage Drop	< 3.0mV / amp (Initial) < 10.0mV / amp (Duration)
▶ Wire Seal	Independent structure
▶ Waterproof performance	> 1.0 kgf/cm ² (Initial) > 0.5kgf/cm ² (Duration)

NMWP

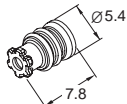
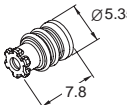
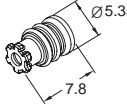
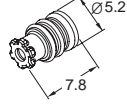
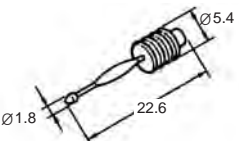
SERIES 090 CONNECTOR

TERMINAL

	Part Drawing	Part Name	Part No.	Applicable Wire		Finish	Q'ty / Reel
				AWG	mm ²		
MALE		NMWP-M-S	MT091-63080	#22-20	0.3 ~ 0.5	Tin	3,500
		NMWP-M-SM	TN021-00200	#19-18	0.61 ~ 0.85	Tin	3,000
		NMWP-M-M	MT091-63280	#16-14	1.25 ~ 2.0	Tin	3,000
		NMWP-M-S-Au	MT091-63060	#22-20	0.3 ~ 0.5	Gold	3,500
		NMWP-M-SM-Au	TN021-00210	#19-18	0.61 ~ 0.85	Gold	3,000
		NMWP-M-M-Au	MT091-63260	#16-14	1.25 ~ 2.0	Gold	3,000
FEMALE		NMWP-F-S	MT095-63080	#22-20	0.3 ~ 0.5	Tin	3,500
		NMWP-F-SM	TN025-00200	#19-18	0.61 ~ 0.85	Tin	3,000
		NMWP-F-M	MT095-63280	#16-14	1.25 ~ 2.0	Tin	3,000
		NMWP-F-S-Au	MT095-63060	#22-20	0.3 ~ 0.5	Gold	3,500
		NMWP-F-SM-Au	TN025-00210	#19-18	0.61 ~ 0.85	Gold	3,000
		NMWP-F-M-Au	MT095-63260	#16-14	1.25 ~ 2.0	Gold	3,000

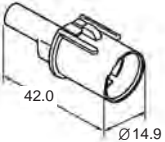
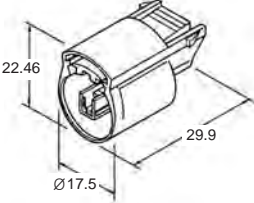
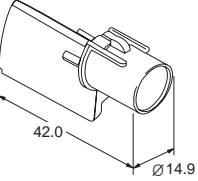
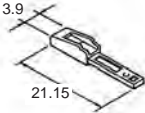
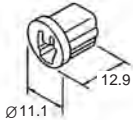
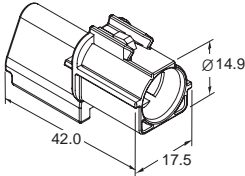
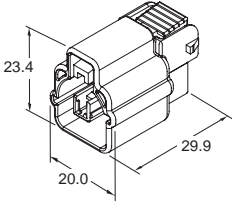
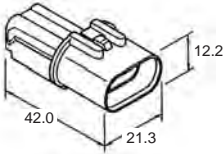
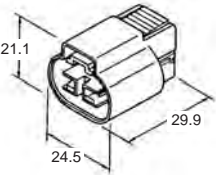
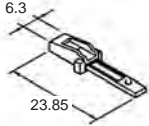
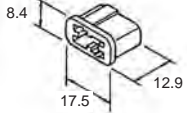
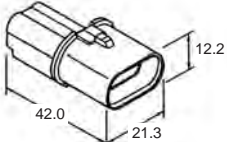
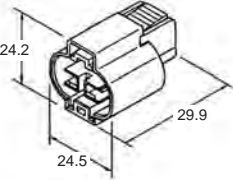
NMWP

WIRE SEAL

Part Drawing	Part Name	Part No.	Applicable Wire Insulation Diameter (mm)	Color	Material	Q'ty / Reel
	W/S MWP-0.3(YG)	RS220-01100	1.4 ~ 1.9	Yellow Green	Silicone Rubber	1,000
	W/S MWP-SS(BR)	RS220-04100	2.0 ~ 2.4	Brown	Silicone Rubber	1,000
	W/S MWP-S(L)	RS220-02100	2.4 ~ 2.6	Blue	Silicone Rubber	1,000
	W/S MWP-W(V)	RS220-03100	2.6 ~ 3.4	Violet	Silicone Rubber	1,000
	NMWP SEALED PIN ASSY	PZ001-15022	-	Seal: Gray Pin: Black	Seal: Silicone Rubber Pin: PBT	1,000

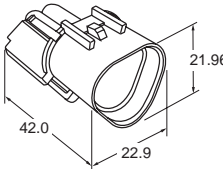
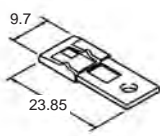
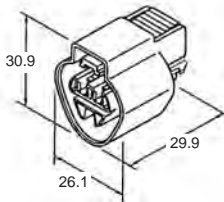
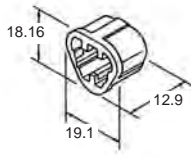
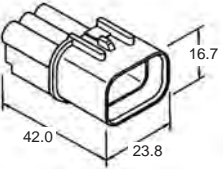
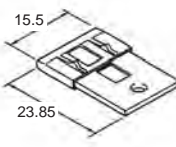
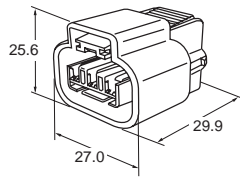
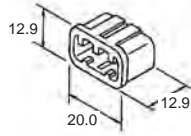
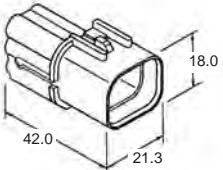
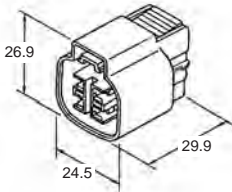
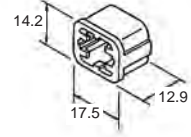
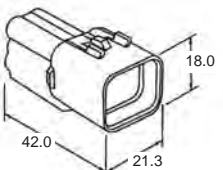
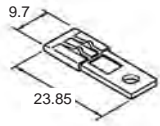
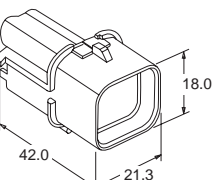
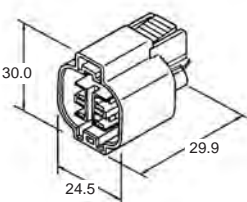
NMWP SERIES 090 CONNECTOR

HOUSING

Pole	MALE CONNECTOR		FEMALE CONNECTOR	
	Housing	Holder	Housing	Holder
01P	NMWP01M-B PB621-01020 Black	F/H NMWP01M-LG PB871-01880 Light Green	NMWP01F-B ASSY PB625-01027 Black	F/H NMWP01F-LG PB875-01880 Light Green
				
	NMWP01MP-B PB623-01020 Black			
	NMWP01MA-B HN122-01020 Black		NMWP01FA-B ASSY HN126-01027 Black	
				
02P	NMWP02M-B PB621-02020 Black	F/H NMWP02M-OR PB871-02900 Orange	NMWP02F-B ASSY PB625-02027 Black	F/H NMWP02F-OR PB875-02900 Orange
				
	NMWP02M-GY PB621-02120 Gray		NMWP02F-GY ASSY PB625-02127 Gray	
				

NMWP SERIES 090 CONNECTOR

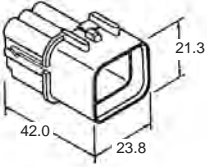
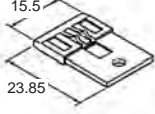
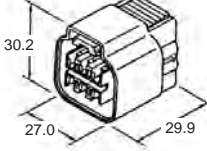
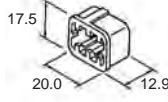
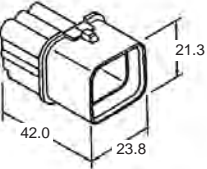
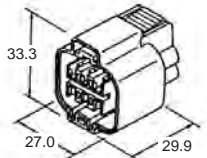
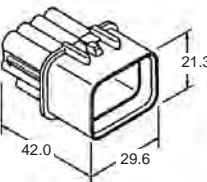
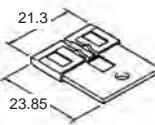
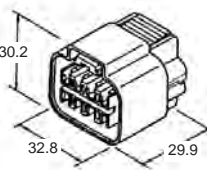
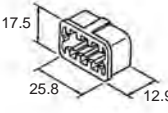
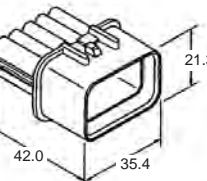
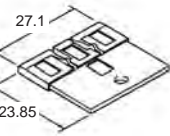
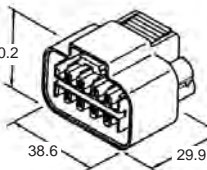
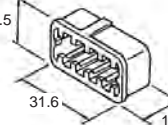
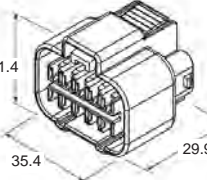
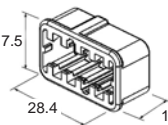
HOUSING

Pole	MALE CONNECTOR		FEMALE CONNECTOR		
	Housing	Holder	Housing	Holder	
03P	NMWP03M-B PB621-03020 Black	F/H NMWP03M-LG PB871-03880 Light Green	NMWP03F-B ASSY PB625-03027 Black	F/H NMWP03F-LG PB875-03880 Light Green	
					
03P	NMWP03MS-B HN032-03020 Black	F/H NMWP03MS-OR HN042-03100 Orange	NMWP03FS-GY ASSY HN036-03127 Gray	F/H NMWP03FS-OR HN046-03100 Orange	
					
04P	NMWP04M-B PB621-04020 Black	F/H NMWP04M-OR PB871-04900 Orange	NMWP04F-B ASSY PB625-04027 Black	F/H NMWP04F-OR PB875-04900 Orange	
					
	NMWP04MT-BR KP623-04650 Brown				
	NMWP04MA-GY PB621-04120 Gray			KNMWP04F-GY ASSY HN025-04127 Gray	

NMWP

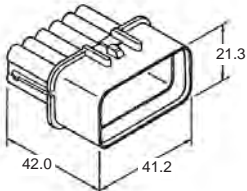
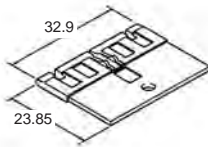
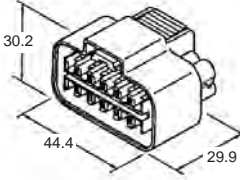
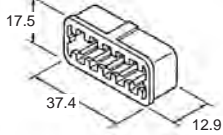
NMWP SERIES 090 CONNECTOR

HOUSING

Pole	MALE CONNECTOR		FEMALE CONNECTOR	
	Housing	Holder	Housing	Holder
06P	NMWP06M-B PB621-06020 Black	F/H NMWP06M-LG PB871-06880 Light Green	NMWP06F-B ASSY PB625-06027 Black	F/H NMWP06F-LG PB875-06880 Light Green
				
	NMWP06M-GY PB621-06120 Gray		NMWP06F-GY ASSY PB625-06127 Gray	
				
08P	NMWP08M-B PB621-08020 Black	F/H NMWP08M-OR PB871-08900 Orange	NMWP08F-B ASSY PB625-08027 Black	F/H NMWP08F-OR PB875-08900 Orange
				
10P	NMWP10M-B PB621-10020 Black	F/H NMWP10M-LG PB871-10880 Light Green	NMWP10F-B ASSY PB625-10027 Black	F/H NMWP10F-LG PB875-10880 Light Green
				
			NMWP10FA-B ASSY HN095-10027 Black	F/H NMWP10FA-LG HN105-10080 Light Green
				

NMWP SERIES 090 CONNECTOR

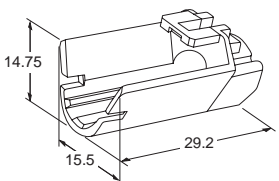
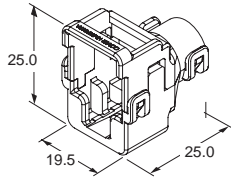
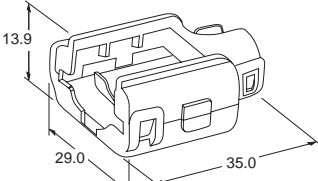
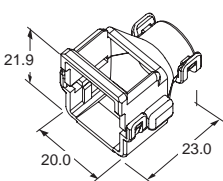
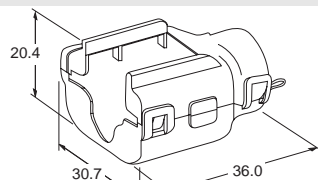
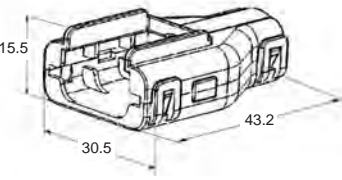
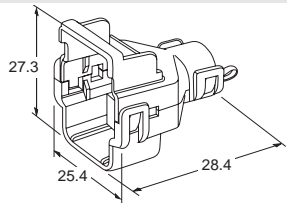
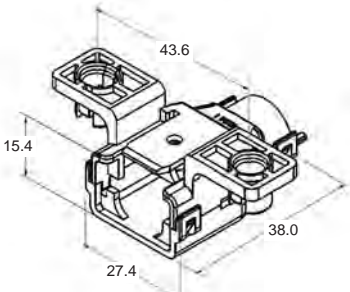
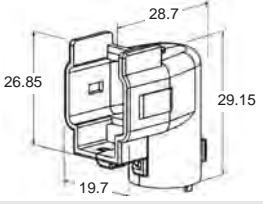
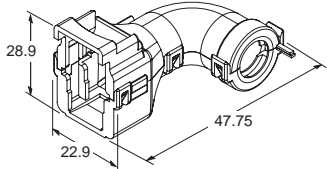
HOUSING

Pole	MALE CONNECTOR		FEMALE CONNECTOR	
	Housing	Holder	Housing	Holder
12P	NMWP12M-B PB621-12020 Black	F/H NMWP12M-OR PB871-12900 Orange	NMWP12F-B ASSY PB625-12027 Black	F/H NMWP12F-OR PB875-12900 Orange
				

NMWP

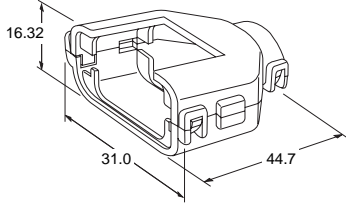
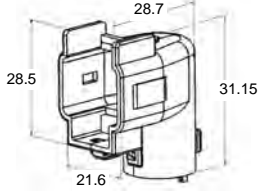
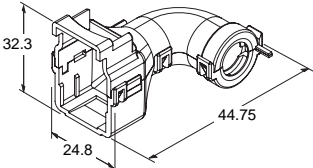
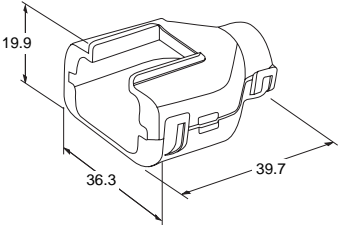
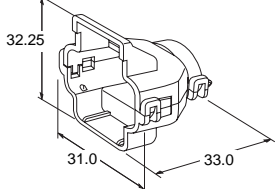
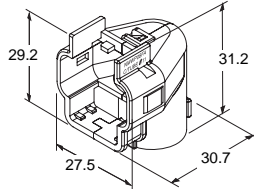
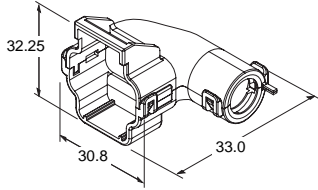
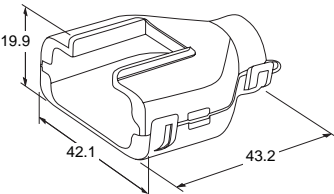
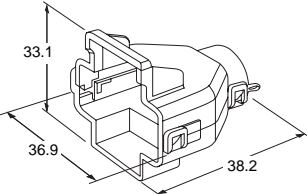
NMWP SERIES 090 CONNECTOR

CONNECTOR COVER

Pole	MALE	FEMALE
	CONNECTOR COVER	CONNECTOR COVER
01P	COVER NMWP01MP-B HV011-01020 Black Matching Connector : NMWP01MP Corrugate Tube 사양: Ø5 	COVER NMWP01FA HV015-01020 Black Matching Connector : NMWP01FA Corrugate Tube 사양: Ø5 
	COVER NMWP02M-B HV011-02020 Black Matching Connector : NMWP02M Corrugate Tube 사양: Ø5 	COVER NMWP02FA HP055-02020 Black Matching Connector : NMWP02F Corrugate Tube 사양: Ø5 
03P	COVER NMWP03M-B HV011-03020 Black Matching Connector : NMWP03M Corrugate Tube 사양: Ø7 	N/A
	COVER NMWP03MS-B HV012-03020 Black Matching Connector : NMWP03MS Corrugate Tube 사양: Ø7 	COVER NMWP03FS-B HV016-03020 Black Matching Connector : NMWP03FS Corrugate Tube 사양: Ø5 
04P	COVER NMWP04MA-B HV012-04020 Black Matching Connector : NMWP04M Corrugate Tube 사양: Ø9 	COVER NMWP04FA-B HV016-04020 Black Matching Connector : NMWP04F Corrugate Tube 사양: Ø9 
		COVER NMWP04FB-B HV017-04020 Black Matching Connector : NMWP04F Corrugate Tube 사양: Ø9 

NMWP SERIES 090 CONNECTOR

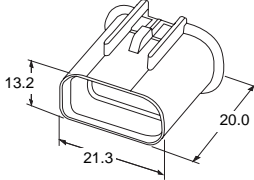
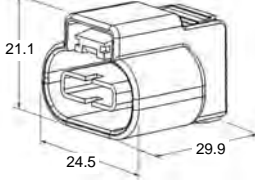
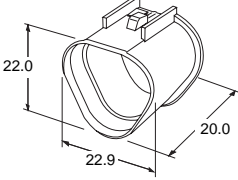
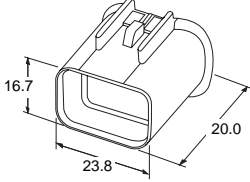
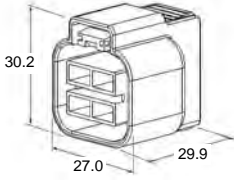
CONNECTOR COVER

Pole	MALE	FEMALE
	CONNECTOR COVER	CONNECTOR COVER
06P	<p>COVER NMWP06M-B HV011-06020 Black</p> <p>Matching Connector : NMWP06M Corrugate Tube 사양: Ø7</p> 	<p>COVER NMWP06FA-B HV016-06020 Black</p> <p>Matching Connector : NMWP06F Corrugate Tube 사양: Ø9</p> 
		<p>COVER NMWP06FB-B HV017-06020 Black</p> <p>Matching Connector : NMWP06F Corrugate Tube 사양: Ø9</p> 
08P	<p>COVER NMWP08M-B HV011-08020</p> <p>Matching Connector : NMWP08M Corrugate Tube 사양: Ø11</p> 	<p>COVER NMWP08F-B HV015-08020 Black</p> <p>Matching Connector : NMWP08F Corrugate Tube 사양: Ø11</p> 
		<p>COVER NMWP08FA-B HV016-08020 Black</p> <p>Matching Connector : NMWP08F Corrugate Tube 사양: Ø11</p> 
		<p>COVER NMWP08FB-B HV017-08020 Black</p> <p>Matching Connector : NMWP08F Corrugate Tube 사양: Ø9</p> 
10P	<p>COVER NMWP10M-B HV011-10020</p> <p>Matching Connector : NMWP10M Corrugate Tube 사양: Ø11</p> 	<p>COVER NMWP10F-B HV015-10020 Black</p> <p>Matching Connector : NMWP10F Corrugate Tube 사양: Ø11</p> 

NMWP

NMWP SERIES 090 CONNECTOR

▶ BLANKING CONNECTOR

Pole	MALE	FEMALE
	BLANKING CONNECTOR	BLANKING CONNECTOR
02P	BLK NMWP02M-B HN051-02020 Black Matching Connector : NMWP02F	BLK NMWP02F-B ASSY HN055-02027 Black Matching Connector : NMWP02M
		
03P	BLK NMWP03M-B HN061-03020 Black Matching Connector : NMWP03F	
		
06P	BLK NMWP03MS-B HN062-03020 Black Matching Connector : NMWP03FS	
		BLK NMWP06F-B ASSY HN085-06027 Black Matching Connector : NMWP06M
		

NMWP SERIES 090 CONNECTOR

COLOR INFORMATION

Pole	MALE		Pole	FEMALE		Pole	MALE		Pole	FEMALE	
	Color	Part No.		Color	Part No.		Color	Part No.		Color	Part No.
	BLACK	PB623-01020		BLACK	PB625-01027		BLACK	PB621-04820		BLACK	HN025-04027
01MP	BROWN	PB623-01050	01F	BROWN	PB625-01657	04MA	BROWN	PB621-04850	04F (KNMWP)	BROWN	HN025-04057
	BLUE	PB623-01640		BLUE	PB625-01647		BLUE	PB621-04840		BLUE	HN025-04047
	GRAY	PB623-01720		GRAY	PB625-01727		GRAY	PB621-04120		GRAY	HN025-04127
01MA	BLACK	HN122-01020	01FA	BLACK	HN126-01027		BLACK	PB621-06020		BLACK	PB625-06027
02M	BLACK	PB621-02020	02F	BLACK	PB625-02027	06M	BROWN	PB621-06650	06F	BROWN	PB625-06657
	BROWN	PB621-02650		BROWN	PB625-02657		BLUE	PB621-06640		BLUE	PB625-06647
	BLUE	PB621-02640		BLUE	PB625-02647		GRAY	PB621-06720		GRAY	PB625-06727
	GRAY	PB621-02720		GRAY	PB625-02727		BLACK	PB621-08020		BLACK	PB625-08027
03M	BLACK	PB621-03020	03F	BLACK	PB625-03027	08M	BROWN	PB621-08650	08F	BROWN	PB625-08657
	BROWN	PB621-03650		BROWN	PB625-03657		BLUE	PB621-08640		BLUE	PB625-08647
	BLUE	PB621-03640		BLUE	PB625-03647		GRAY	PB621-08720		GRAY	PB625-08727
	GRAY	PB621-03720		GRAY	PB625-03727		BLACK	PB621-10020		BLACK	PB625-10027
03MS	BLACK	HN032-03020	03FS	BLACK	HN036-03027	10M	BROWN	PB621-10650	10F	BROWN	PB625-10657
	GRAY	HN032-03120		GRAY	HN036-03127		BLUE	PB621-10640		BLUE	PB625-10647
04M	BLACK	PB621-04020	04F	BLACK	PB625-04027		GRAY	PB621-10720		GRAY	PB625-10727
	BROWN	PB621-04650		BROWN	PB625-04657		BLACK	PB621-12020		BLACK	PB625-12027
	BLUE	PB621-04640		BLUE	PB625-04647	12M	BROWN	PB621-12650	12F	BROWN	PB625-12657
GRAY	PB621-04720	GRAY	PB625-04727	BLUE	PB621-12640		BLUE	PB625-12647			
04MT	BLACK	KPB623-04620				GRAY	PB621-12720		GRAY	PB625-12727	
	BROWN	KPB623-04650									
	GRAY	KPB623-04720									

NMWP